



HARBOR 20 BOAT WEIGHT CERTIFICATE
CONFORMANCE TO THE CLASS BYLAWS

Date 7-12-2017

Owner JAY SWIGART
BRUCE STUART

Sail No. 133

Boat Equipment Check List

- 3 lb Anchor & 50' x 1/4" Anchor line
- 2 Gallon Bucket
- Paddle 36" min length
- 2 Life Jackets
- Seat Cushions

	Date	Boat Weight	Bow up
1	7-12-17	1938.5	
2	2-21-21	1953.0	REWEIGHT AFTER NEW BELCOAT OF TOPSIDES
3			

Attachments

- Weight Location diagram
- Appendix A Class by Laws
- Appendix B Class by Laws

2-21-21

7-12-17

Signature
 Class Measurer or Fleet Measurer

Date

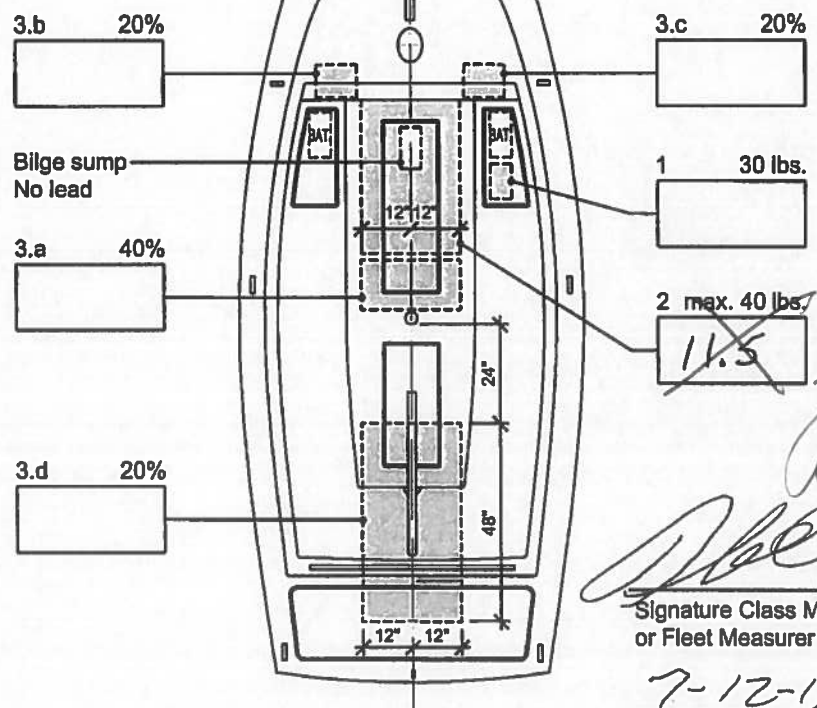
H²⁰

WEIGHT DISTRIBUTION DIAGRAM

7-12-17
 Date Jay SWIGATT
BRUCE STUART
 Owner
133
 Sail No.

Appendix B

 0.9° (+/- 0.2°)



APPROX 2-21-21
[Signature]
 Signature Class Measurer
 or Fleet Measurer

7-12-17 2-21-21
 Date